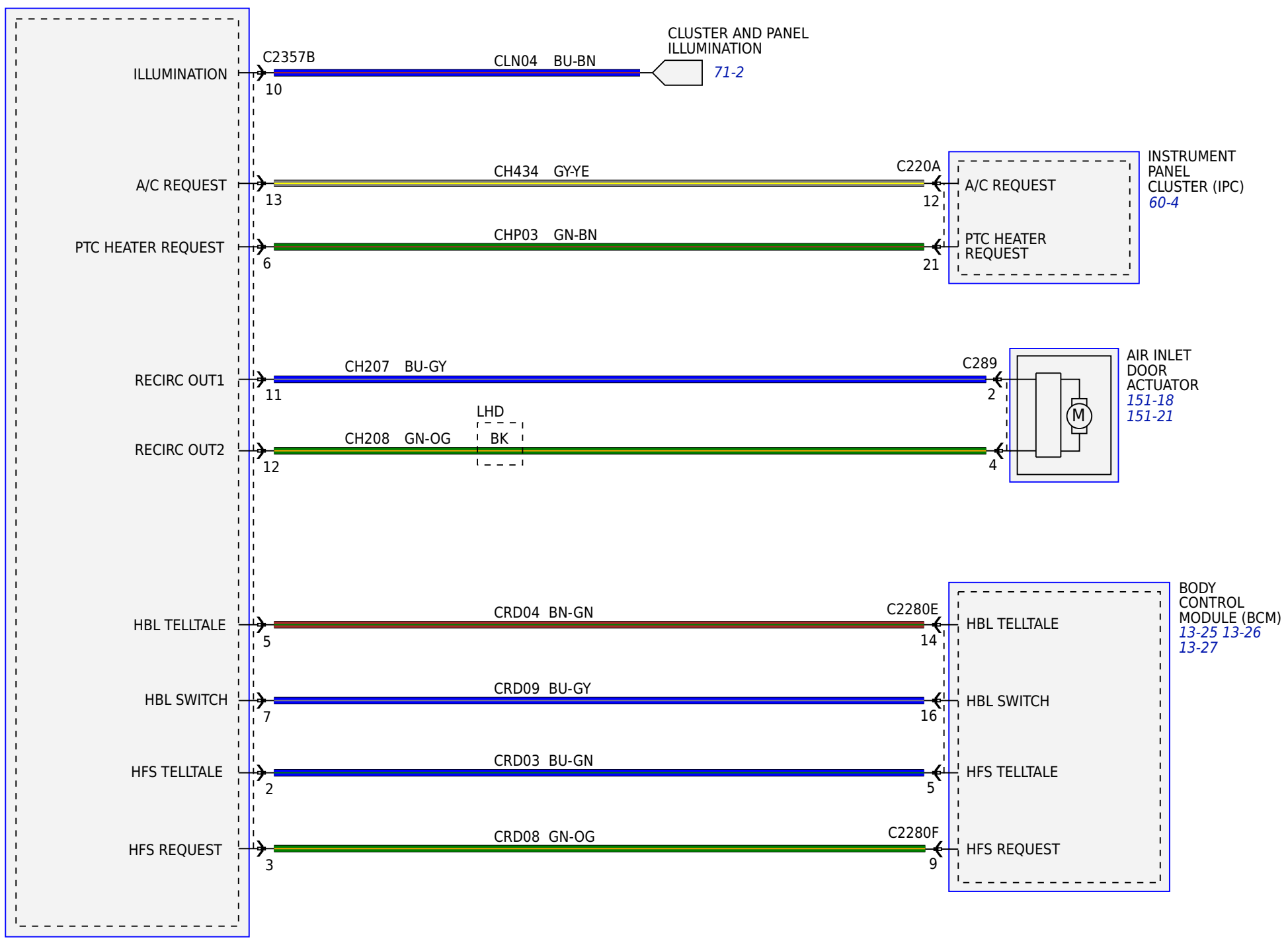
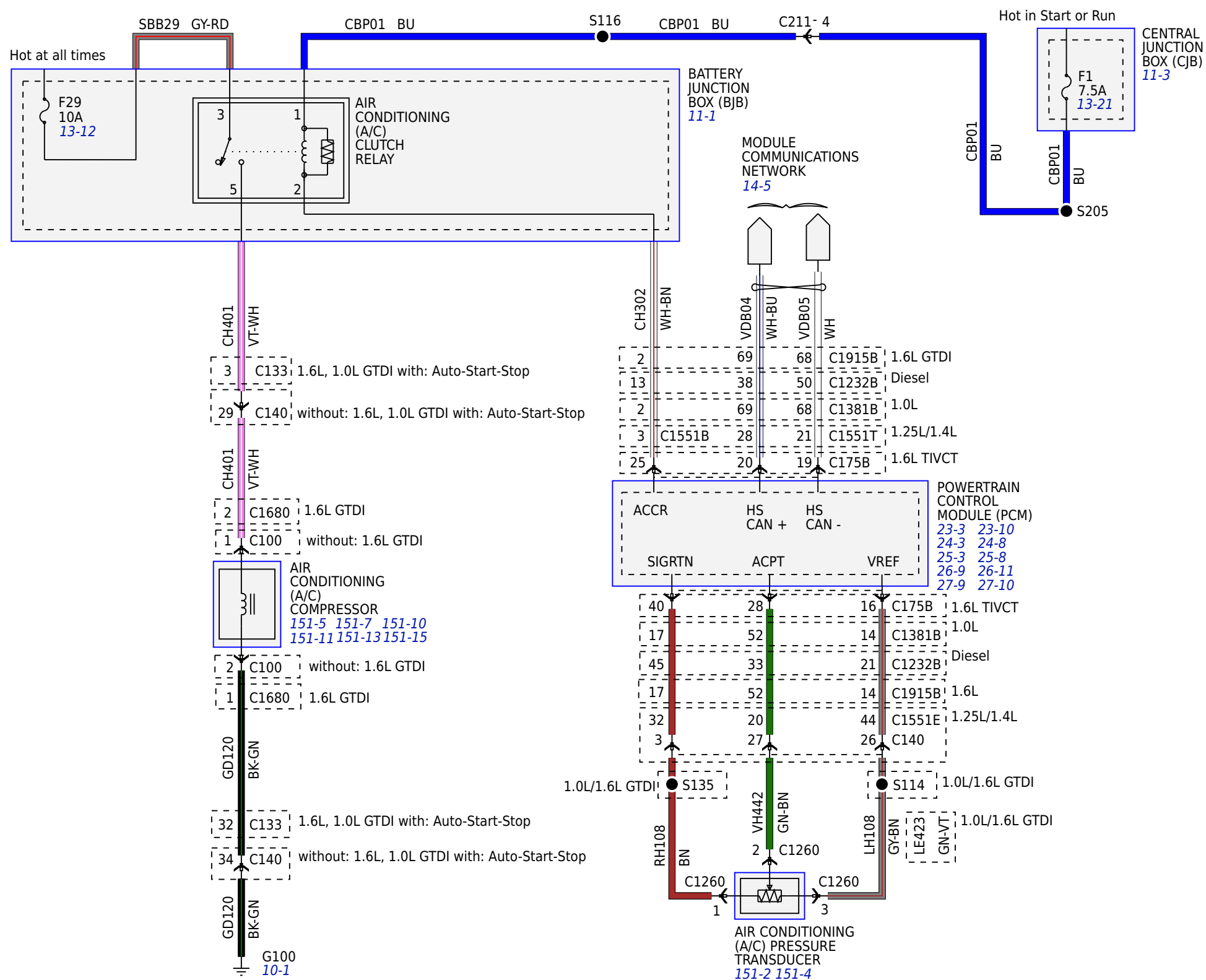
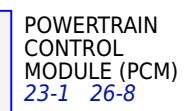
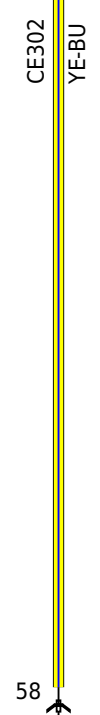
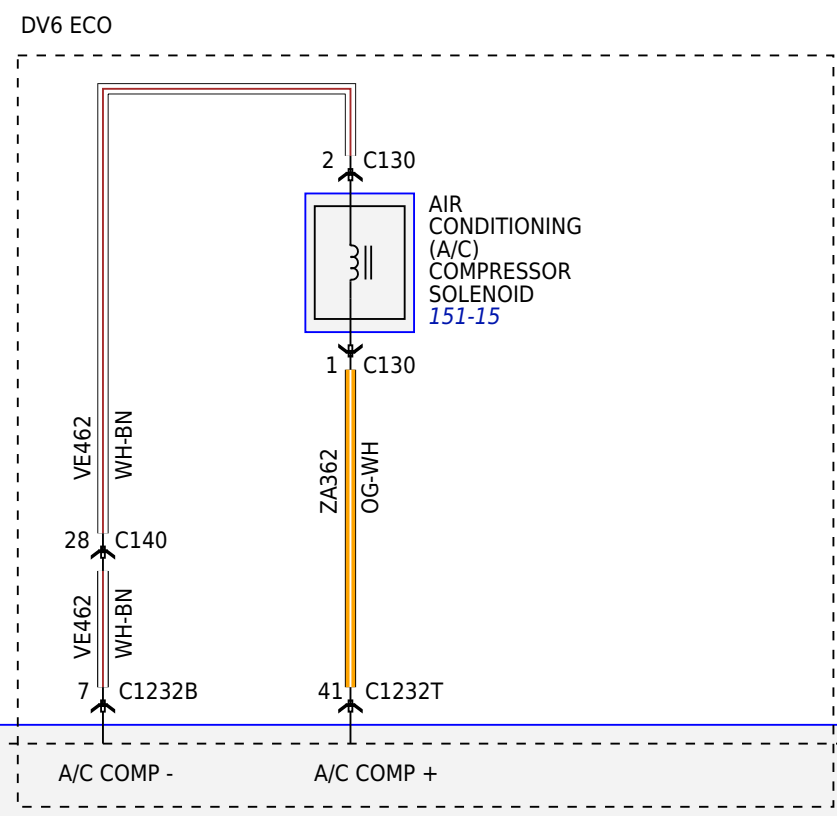
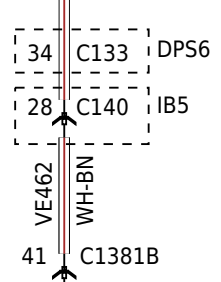
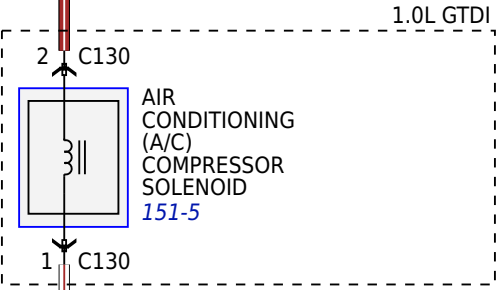
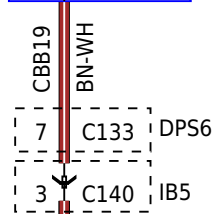
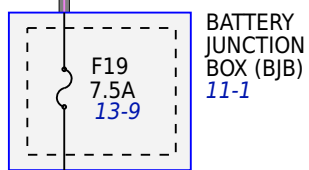
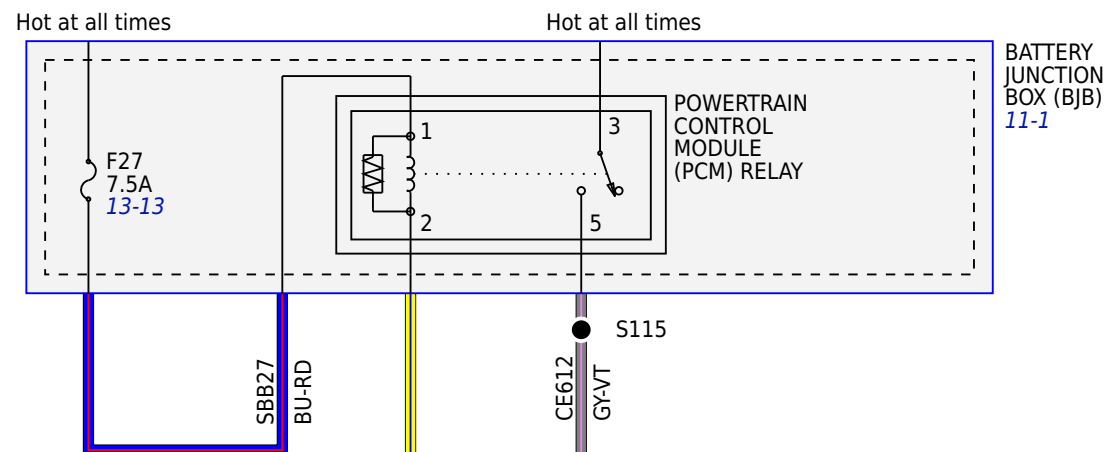


HEATING, VENTILATION AND AIR CONDITIONING (HVAC) CONTROL MODULE  
151-18 151-21







# ELECTRIC BOOSTER HEATER

