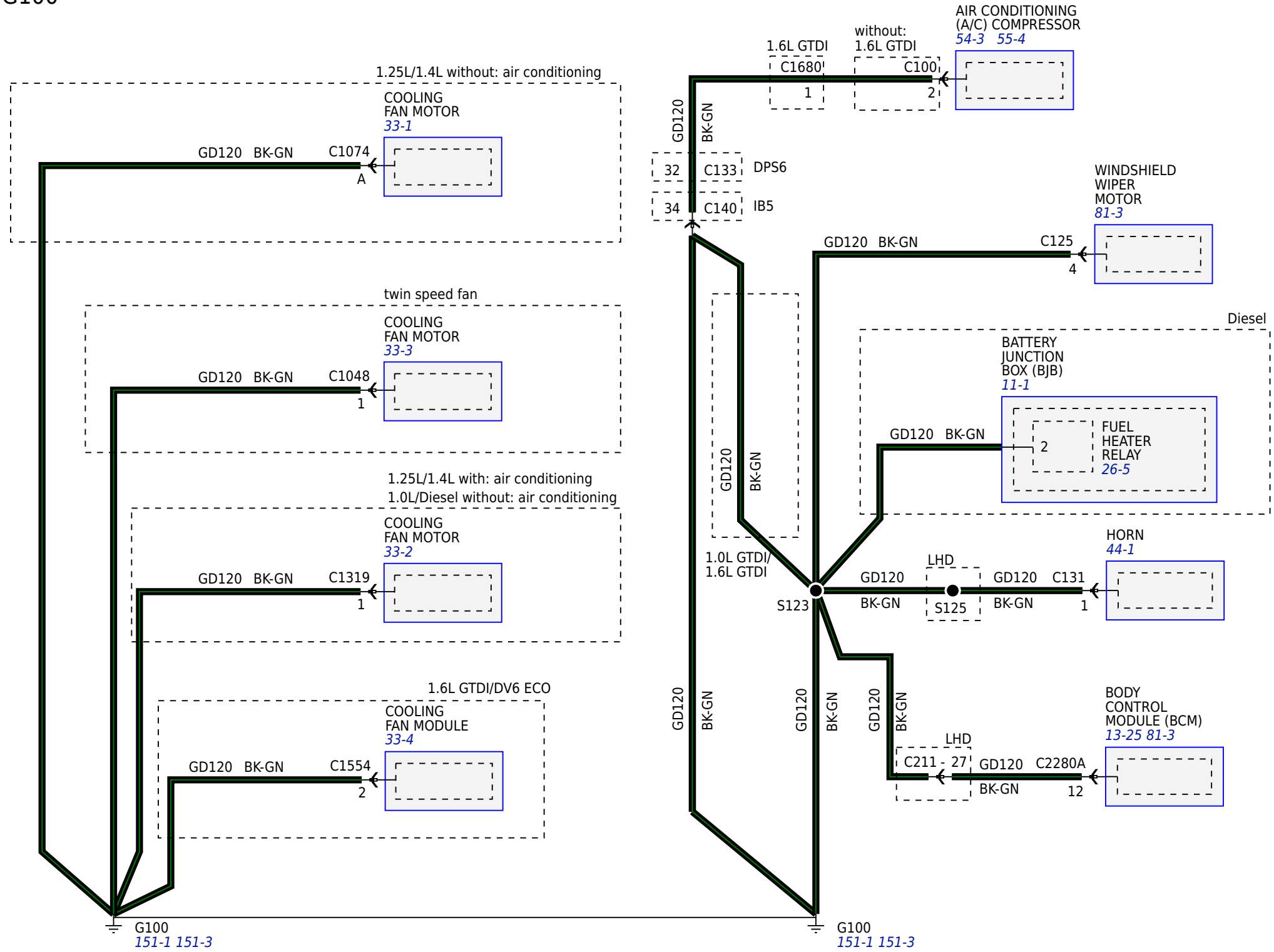
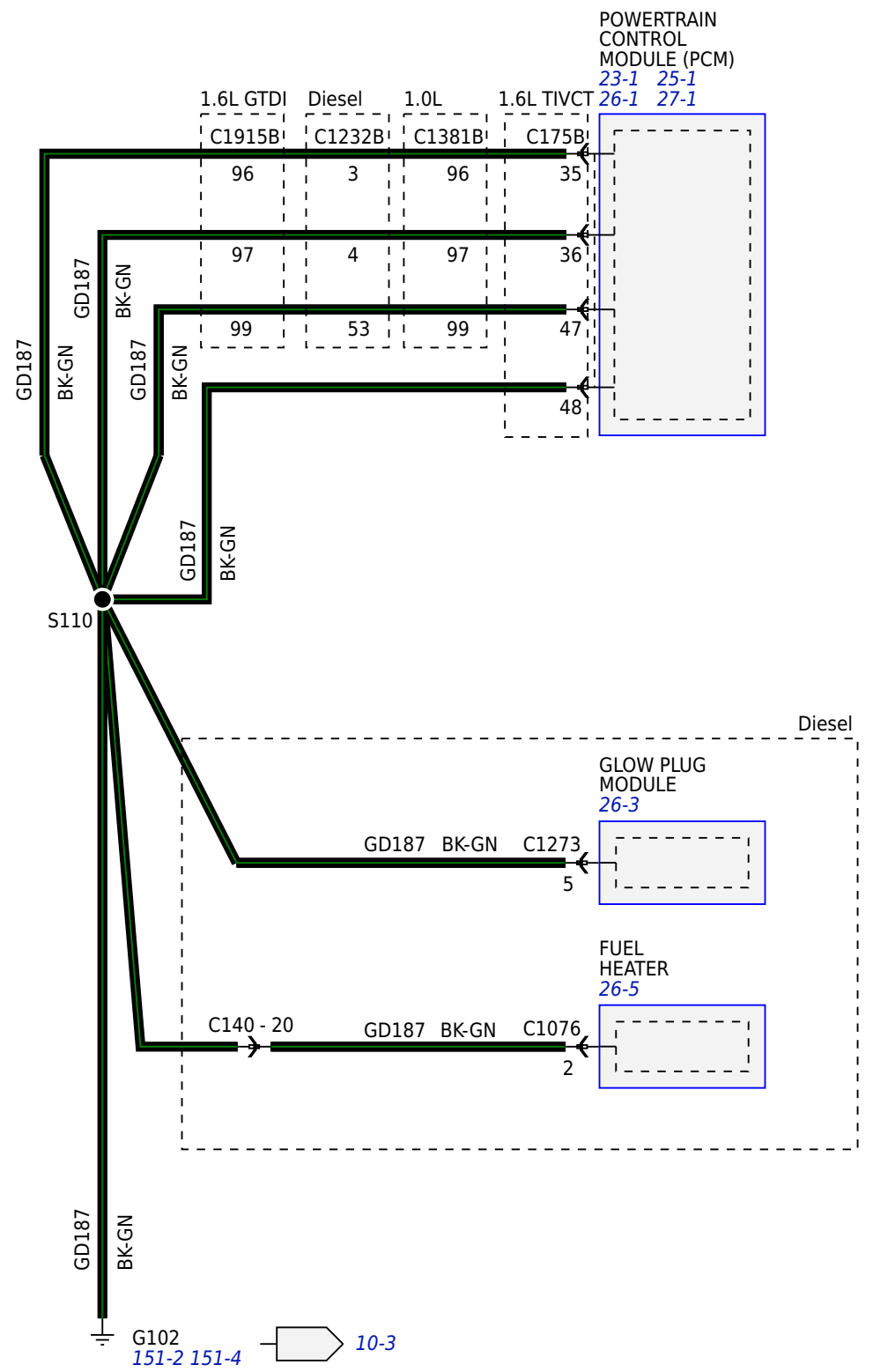
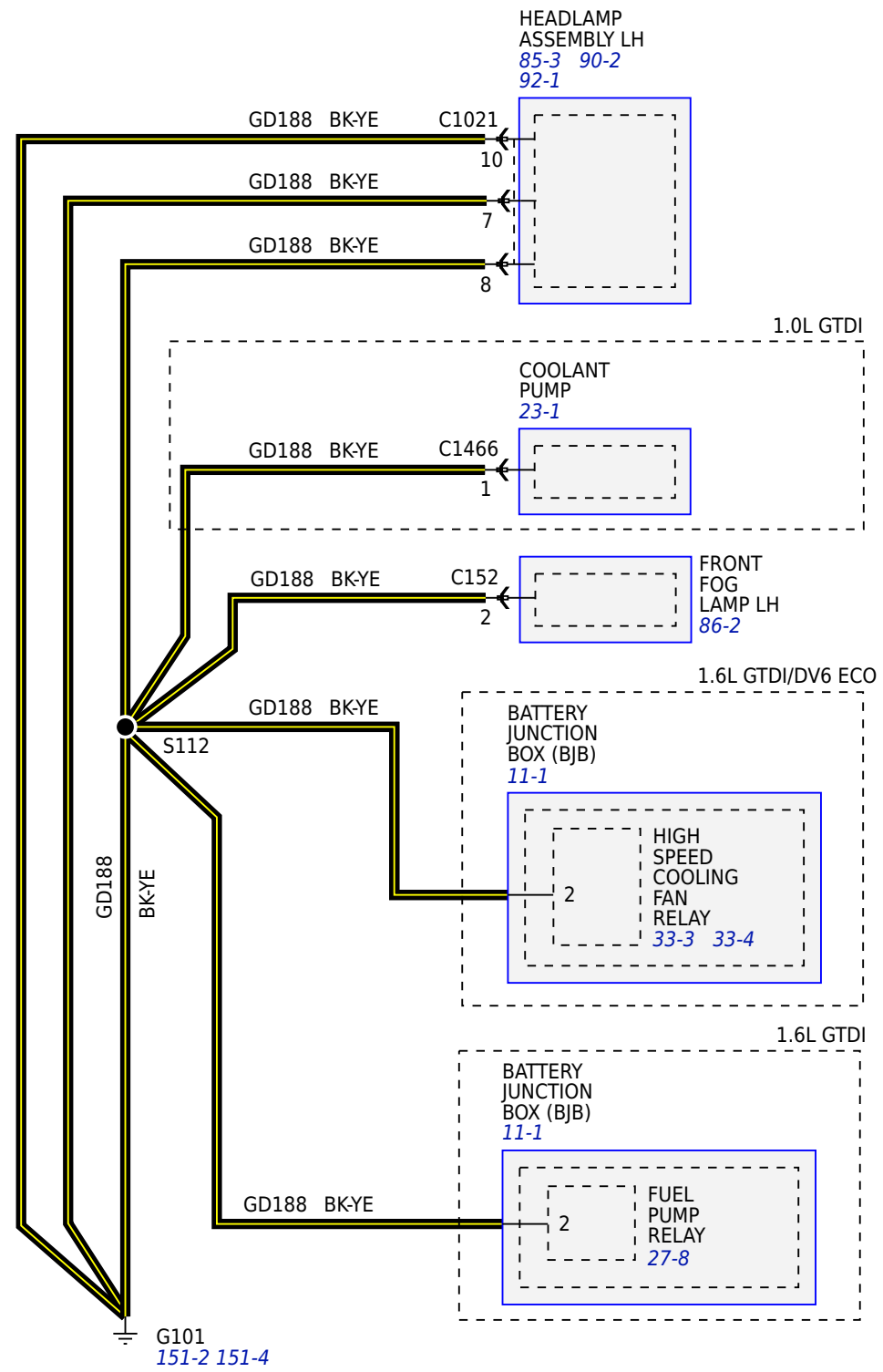


G100

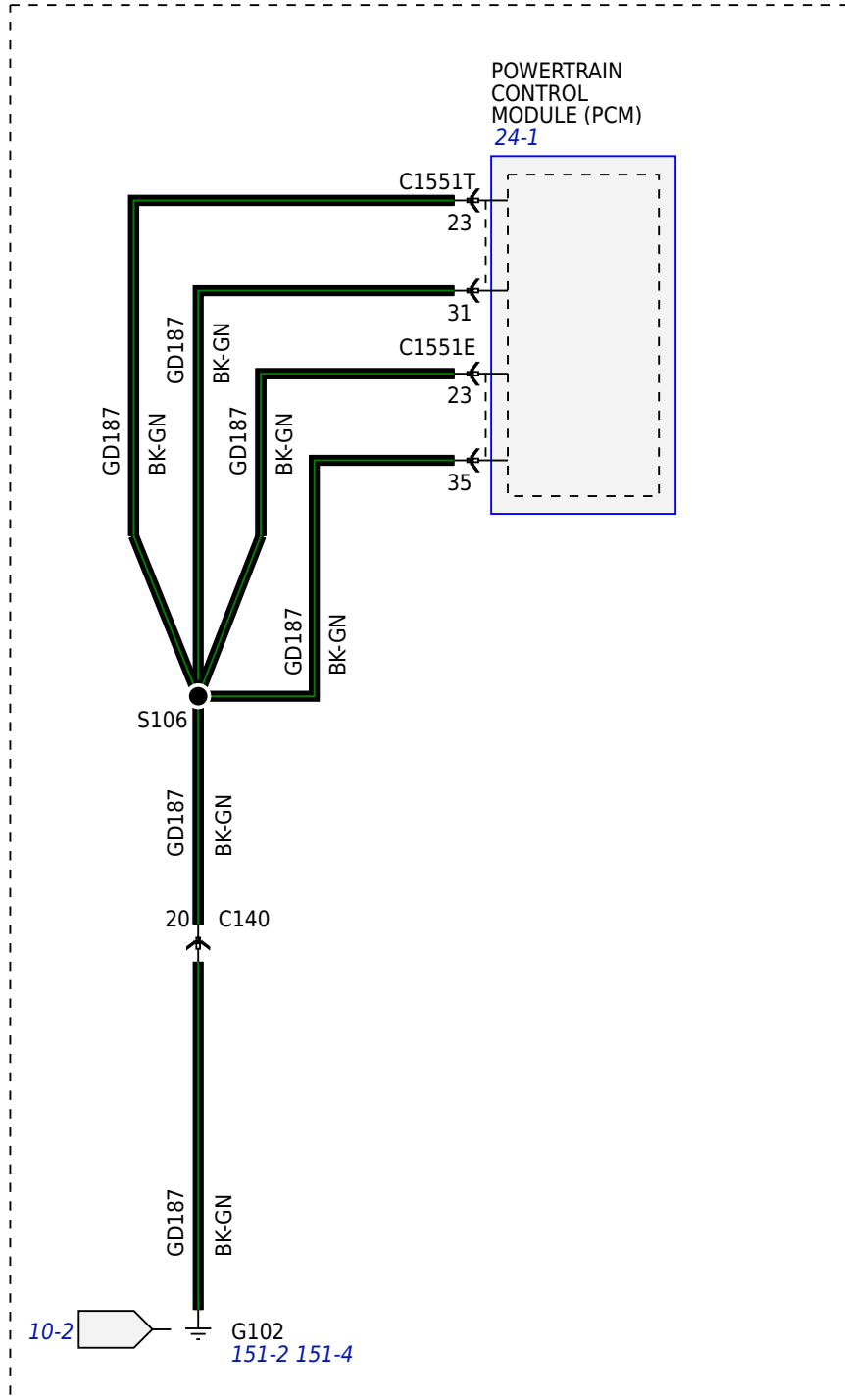


G101, G102

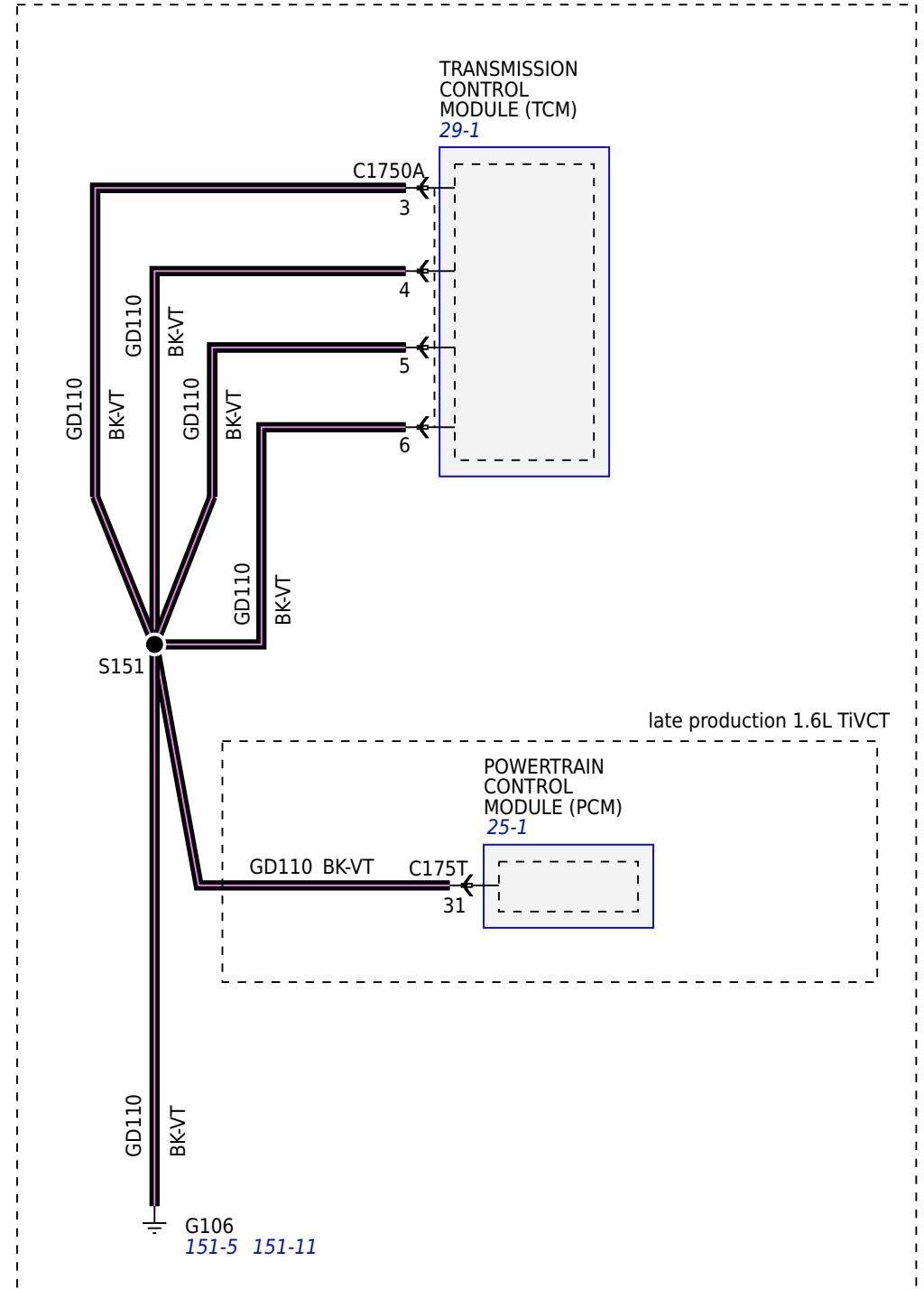


### G102, G106

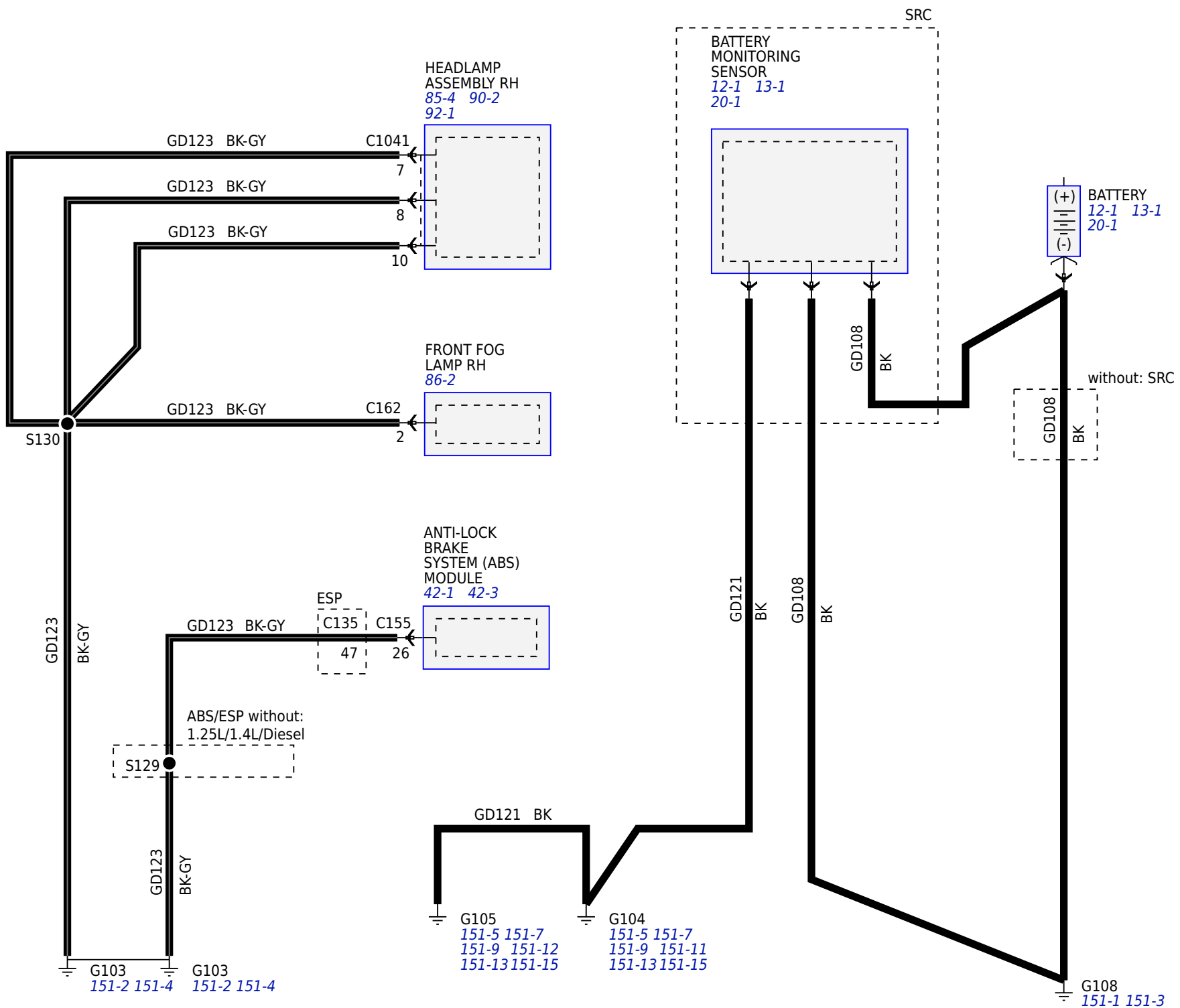
1.0L/1.25L/1.4L



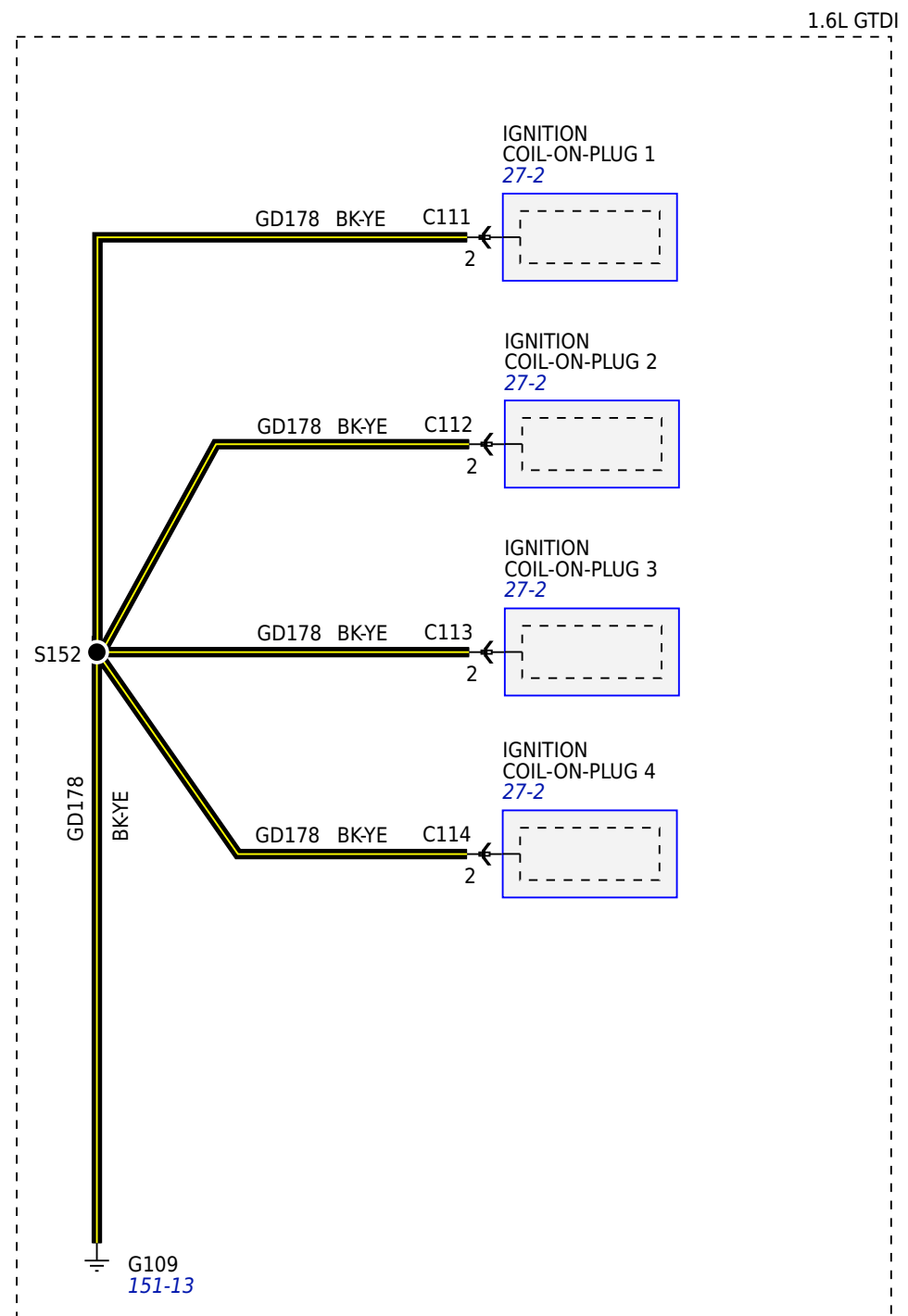
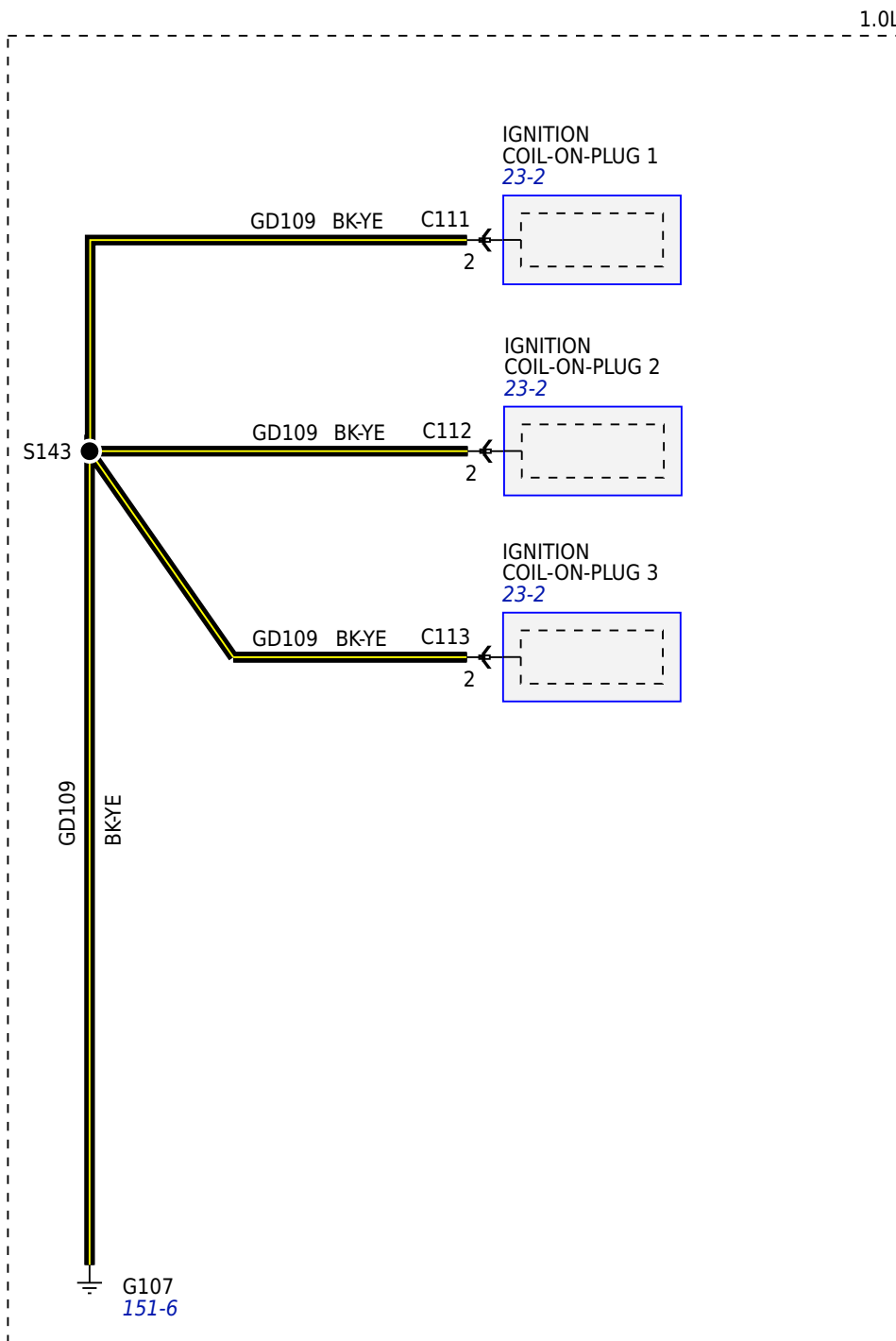
DPS6



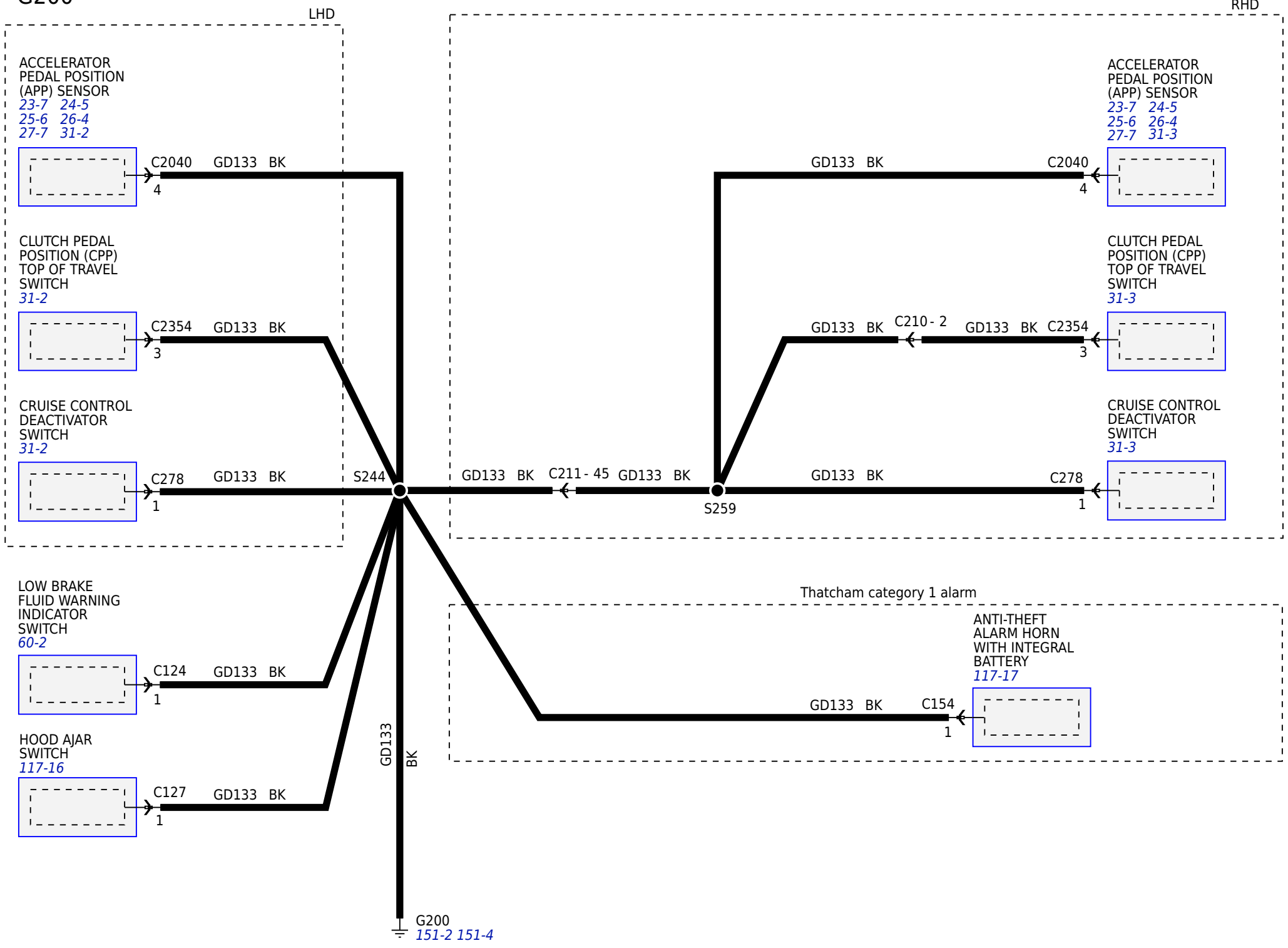
G103, G104, G105, G108



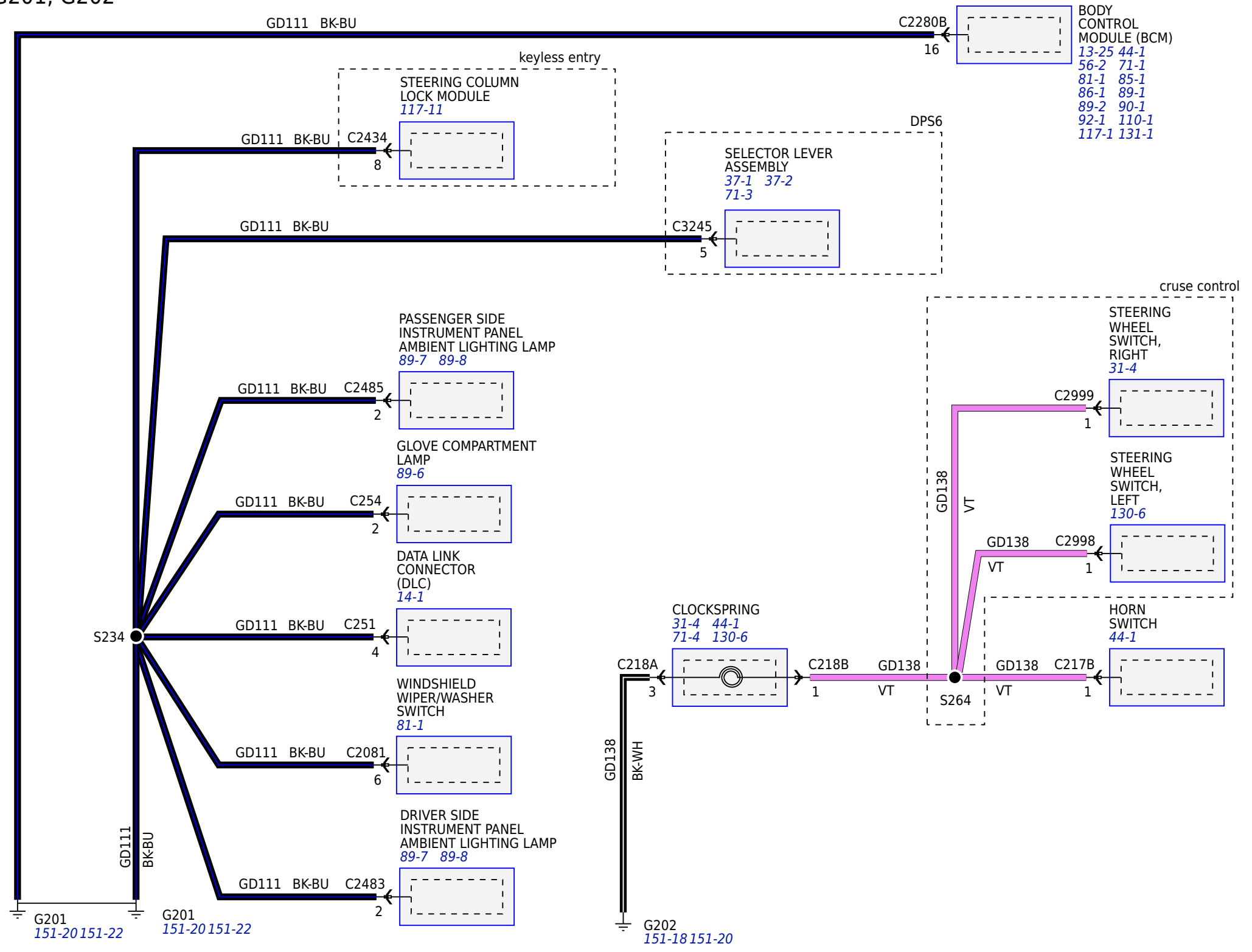
### G107, G109



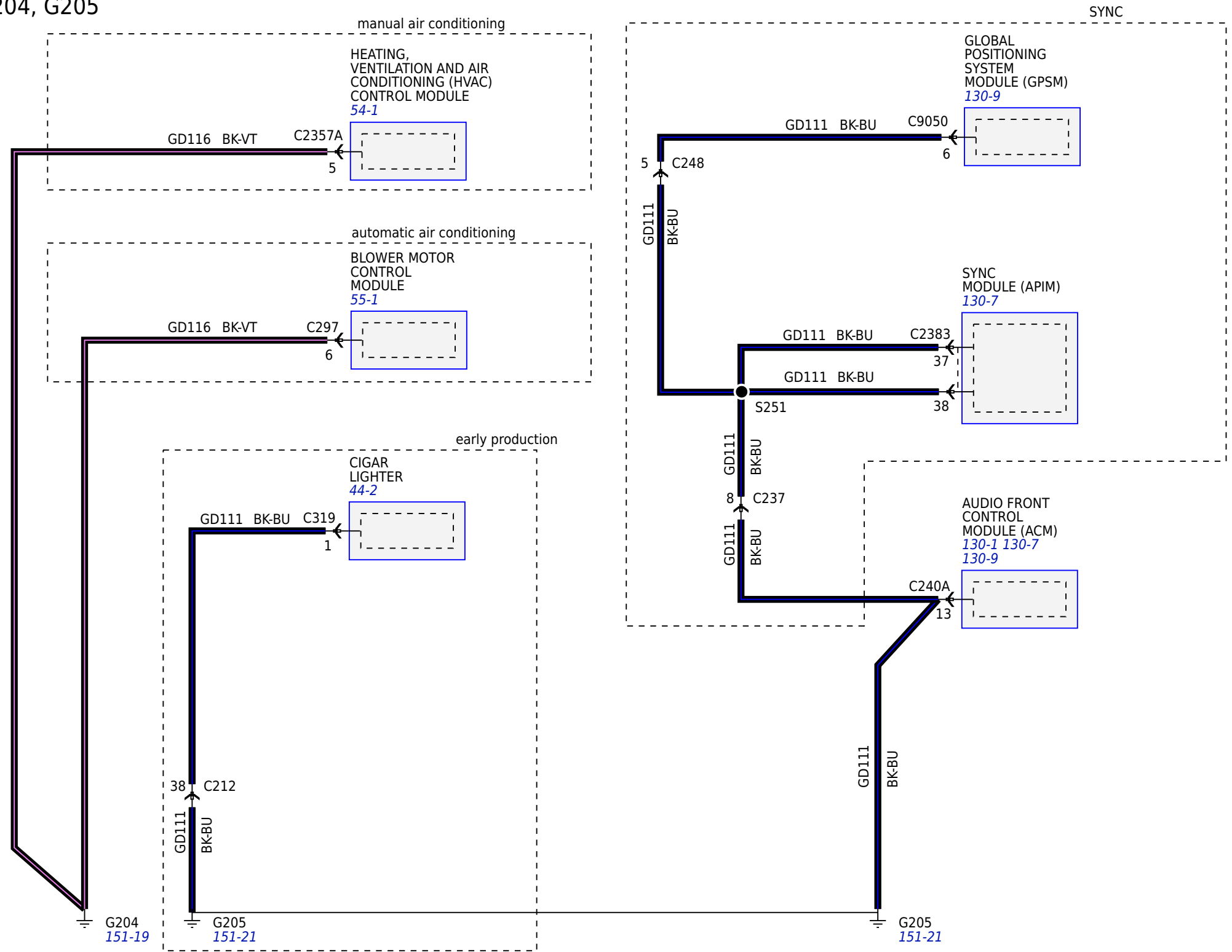
# G200



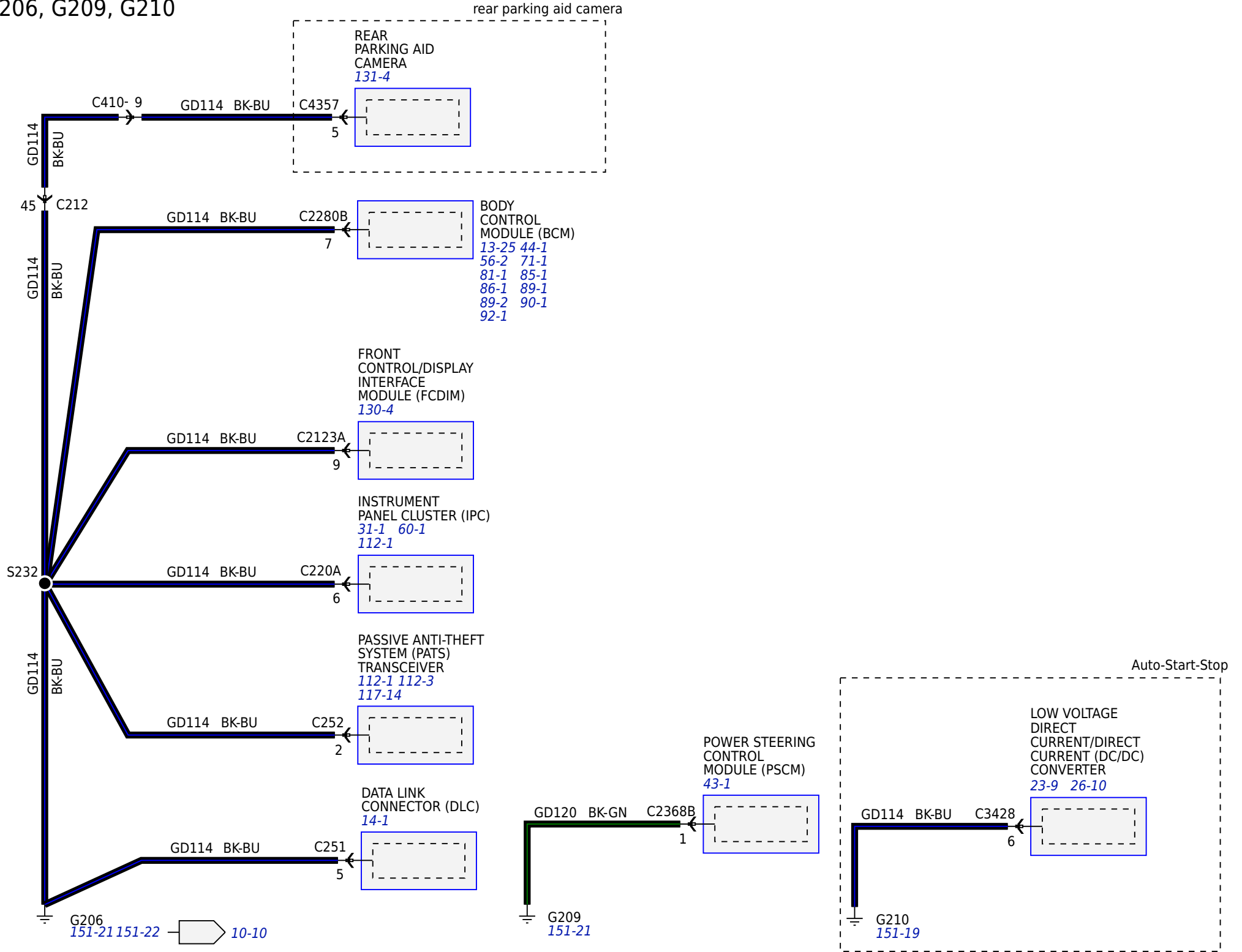
G201, G202



G204, G205

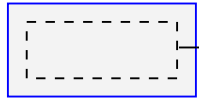


G206, G209, G210

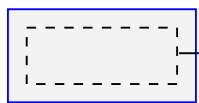


# G206

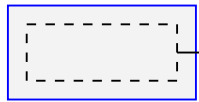
STEERING COLUMN  
MULTIFUNCTION  
SWITCH  
60-3 85-2  
90-1



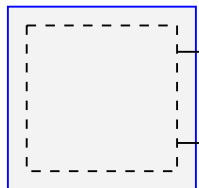
PASSENGER  
AIRBAG  
DEACTIVATION  
(PAD) INDICATOR  
46-1 71-2



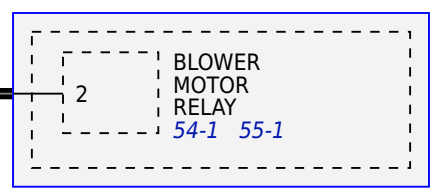
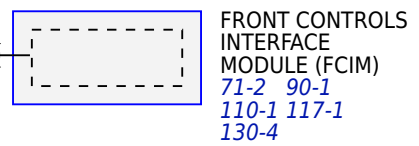
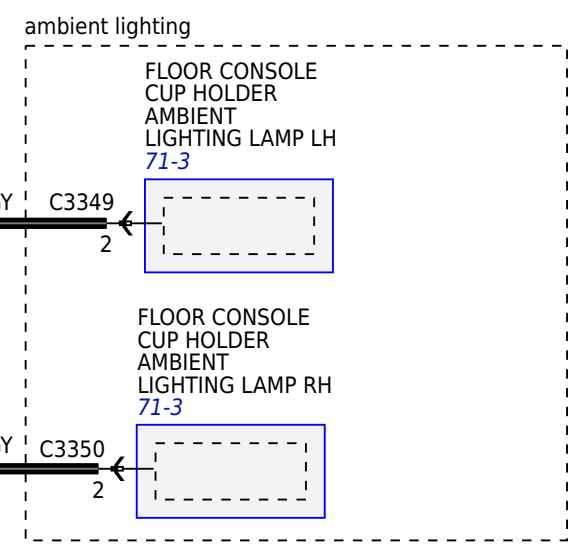
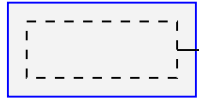
INSTRUMENT  
PANEL CONSOLE  
SWITCH ASSEMBLY  
23-9 26-10  
42-3 71-2  
131-1



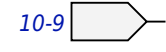
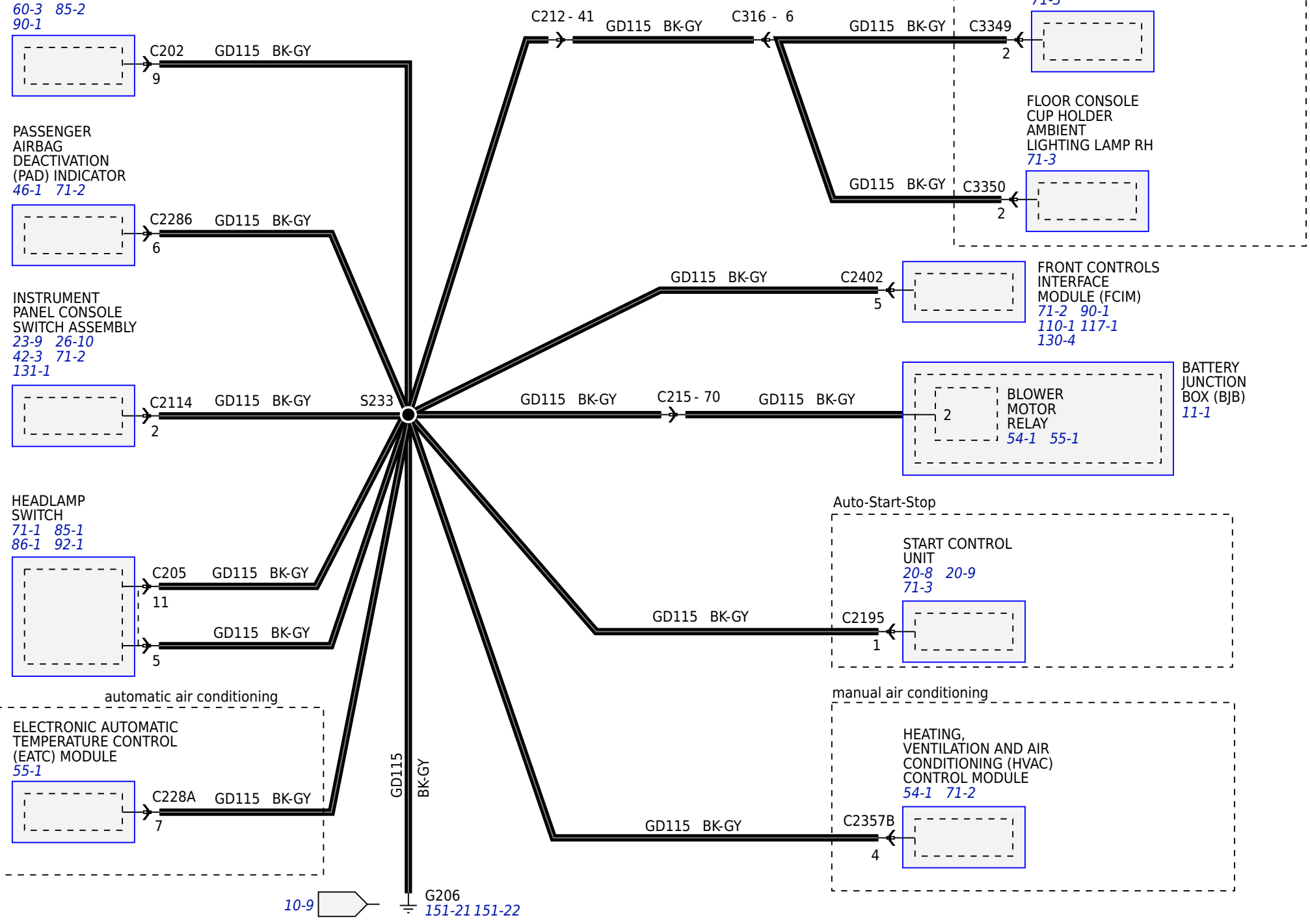
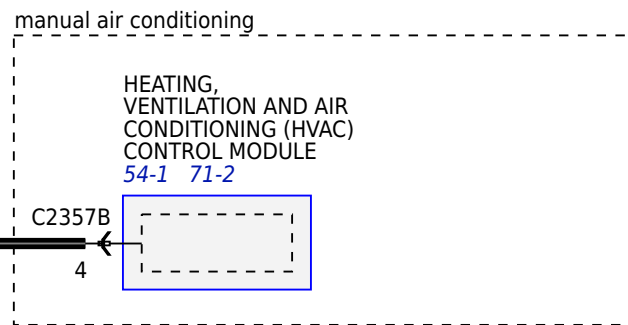
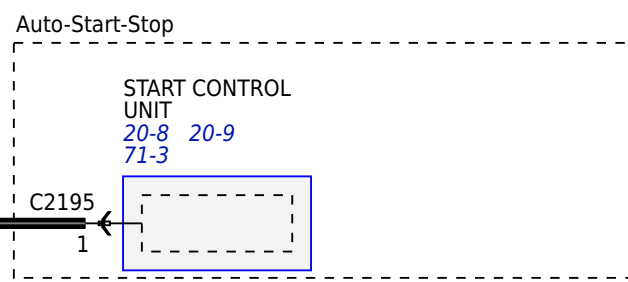
HEADLAMP  
SWITCH  
71-1 85-1  
86-1 92-1



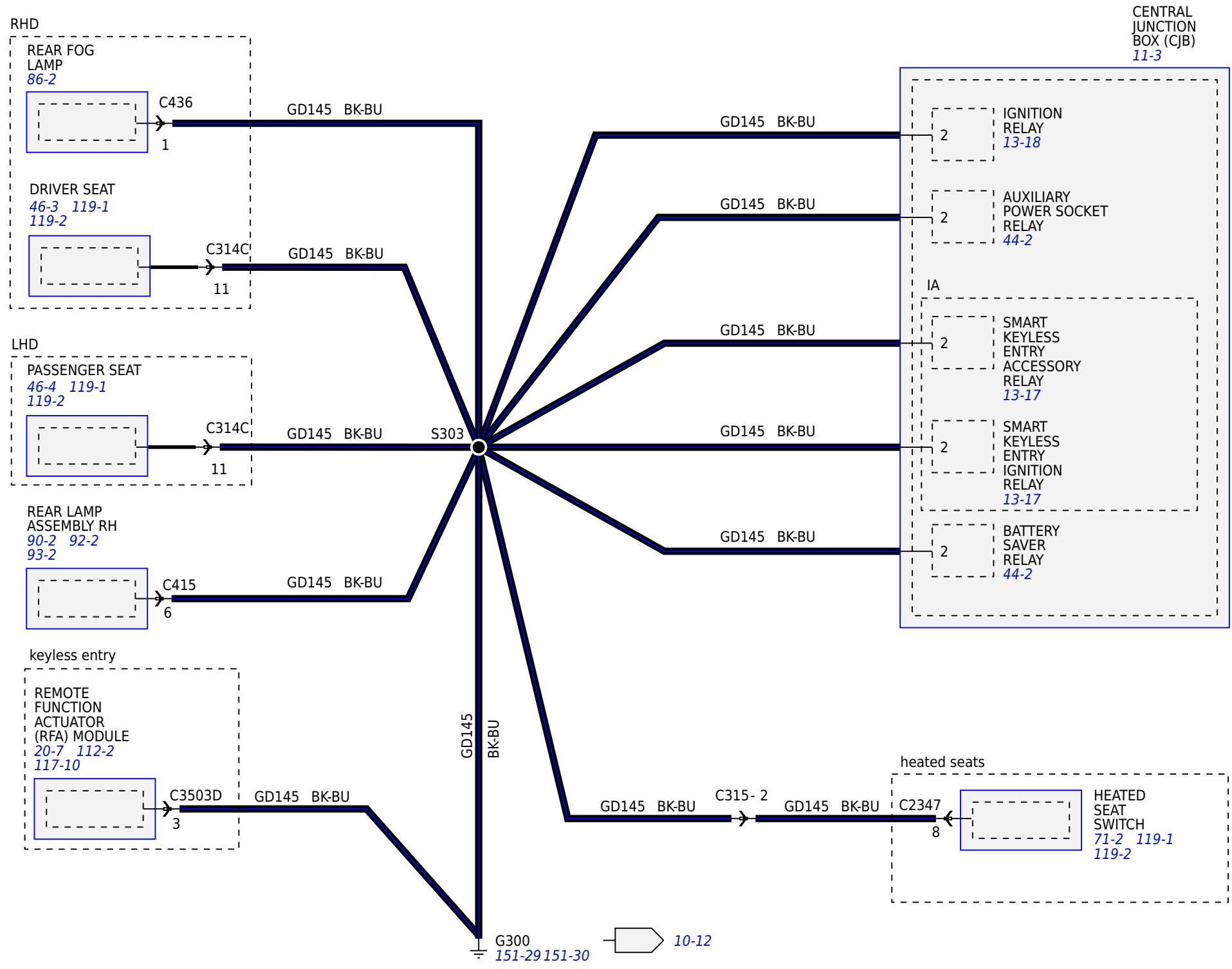
ELECTRONIC AUTOMATIC  
TEMPERATURE CONTROL  
(EATC) MODULE  
55-1



BATTERY  
JUNCTION  
BOX (BJB)  
11-1

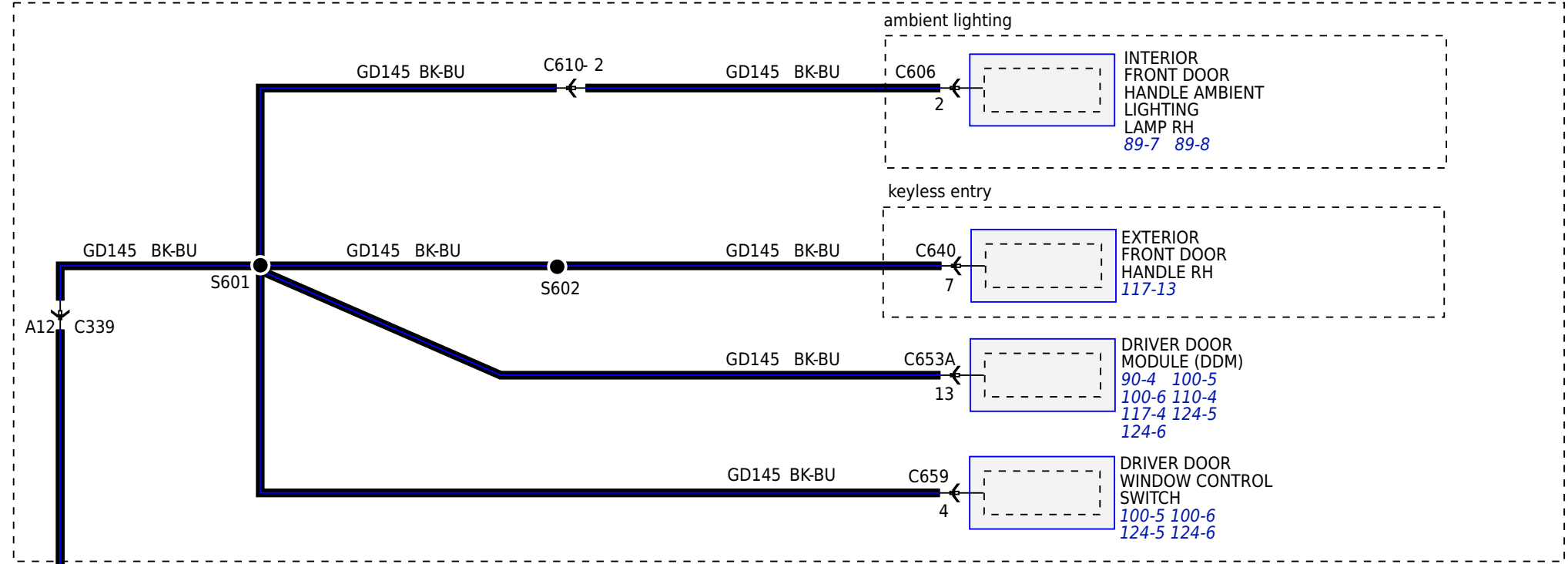


# G300

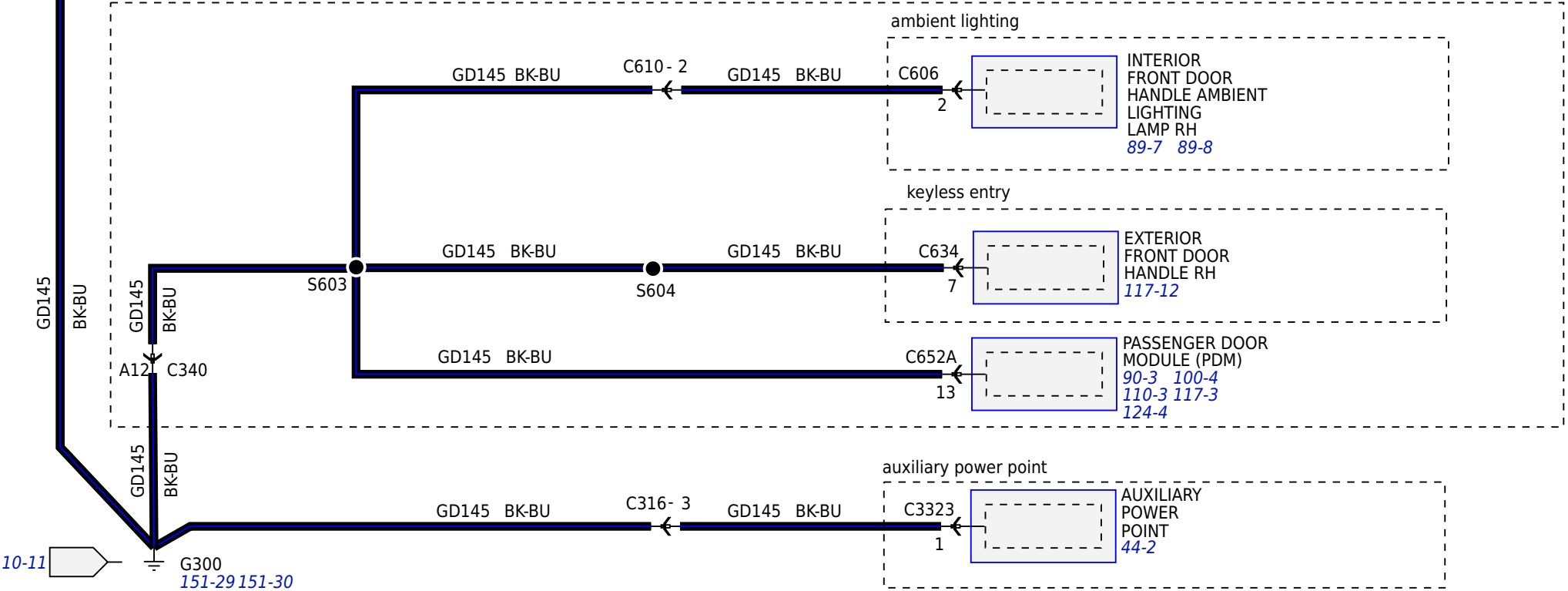


G300

RHD

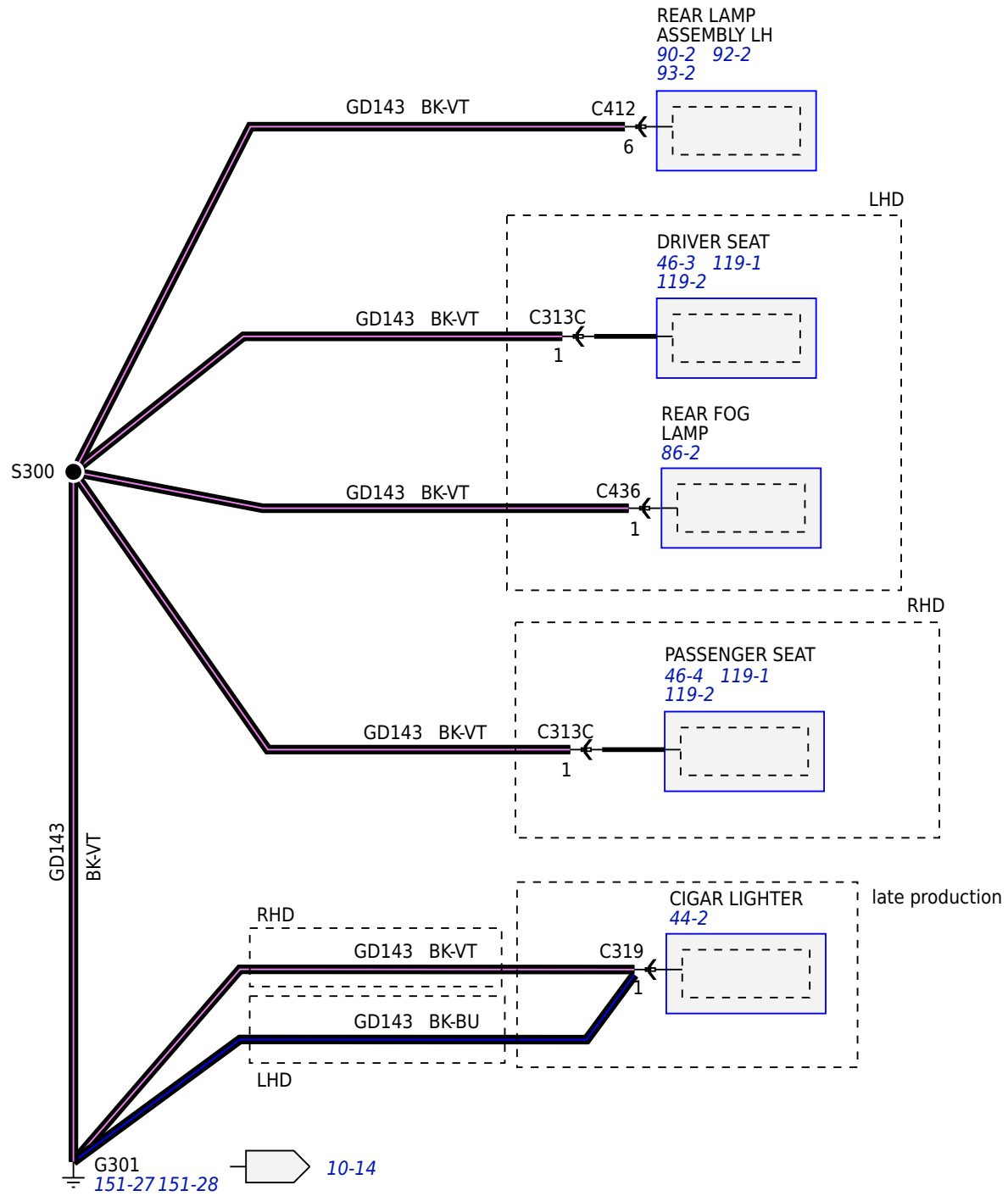


LHD



10-11 G300 151-29 151-30

G301





### G302, G303

